

daytime®

Operating Instruction



Lighting Control

LC14 2-Channel moon

Dear customer,

thank you for deciding on a daytime® LED-light-controller from manufacturer WALTRON.

This daytime® controller is a quality product especially designed to meet the aquaristic and terraristic demands as well as the daytime® LED-light-series do. It also complies with the highest safety requirements.

In the following chapters the functionality concerning this daytime® product will be described in all its details.

Please read this operating instruction carefully and completely. If there are any further questions do not hesitate to contact us.

Find "bright" joy with daytime®.

Cincerely your daytime® team

Information- , Warning- and Safety-Marks

The European Standards demands the use of the following marks concerning special situations. It is definitely not for making you nervous.

You will find these kind of symbols in each current issue of operating- and maintenance instructions about electric household appliances.

General description:



Warning!

Non-observance of passage marked with this symbol may cause serious damage to somebody's health by electric shock.



Attention!

Non-observance of passage marked with this symbol may cause disfunction or damage to daytime® products.



Info

Passage marked with this symbol give helpful advices concerning operating and use of daytime® products.



Environmental disposal advice



Compliance with European Directive

Intended Usage

This product is designed for domestic purpose only. Exclusively for controlling daytime® LED-light-systems for aquaristics and terraristics manufactured by WALTRON GmbH.

Before installation and operating the controller read this operating instruction carefully and completely. Failure or damage caused by non-observance concerning this instruction are not subject to warranty.

Keep this instruction available and refer it to the next user if required.

WALTRON does not accept liability regarding consequences caused by non normal use.

For your safety



Warning!

Read and follow the following important safety advices. This will prevent you from injury due to electric shock:

Make sure that the controller could not get in contact with water (fall into or condensation).



Info

Concerning the converter cable WALTRON advises forming a cable loop. In case of water (condensation) running down along the cable this may avoid reaching the converter or the power socket.



Attention!

Make sure that no cable

- will be folded
- will be pass sharp edges
- will be pinched
- will contact hot surfaces (>60°C)



Warning!

In case of any damage concerning the AC power line disconnect the converter immediately from mains while separate the plug from wall socket.

Contact an authorized daytime® service partner or directly the manufacturer (WALTRON GmbH).



Warning!

If any cable of power supply is damaged an authorized daytime® service partner or the manufacturer (WALTRON GmbH) himself is allowed to repair.

Never use a device with damaged cable. This applies especially to the AC power line.



Warning!

Never open the power supply and LED-light housings and do not any repair yourself. Don't modify or add any components concerning daytime® products that are not described in this operating instruction. The power supply contains components that may cause electric shock while touching. (230V AC). There is a risk of fatal injury from electrical current on opened power supply housing.

Permission of repair only by daytime® service partner or the manufacturer (WALTRON GmbH) himself by using original spare parts or additional equipment

Scope of delivery

1 pc. Controller Lighting Control LC14 2-Channel moon

1 pc. Operating Instruction

Optional Additional Equipment

Power extension module PEM14 2-Channel moon

Technical Data

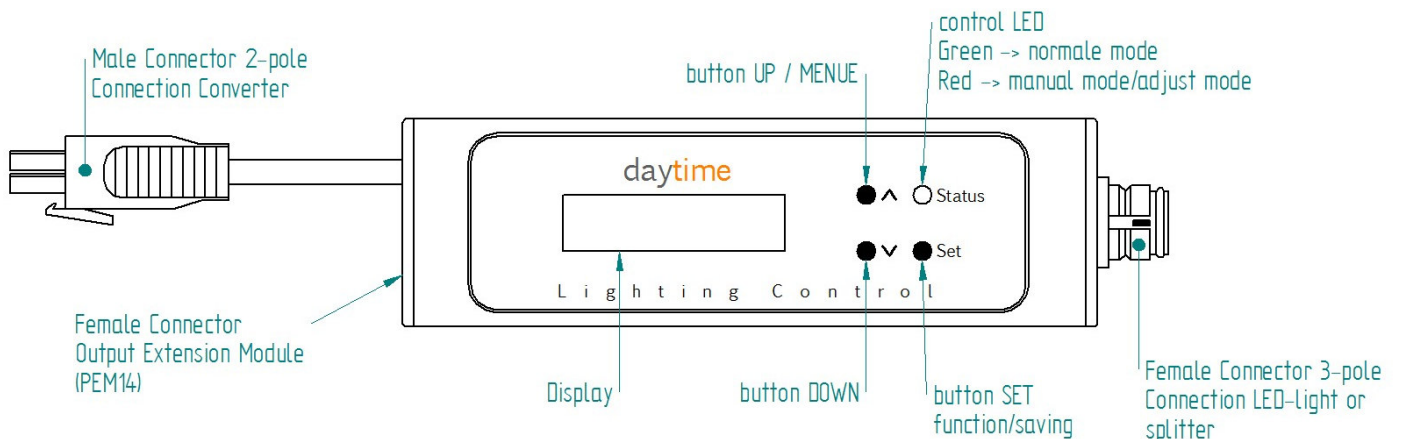
Operating voltage: 12 V DC

Max. load: 100 watts

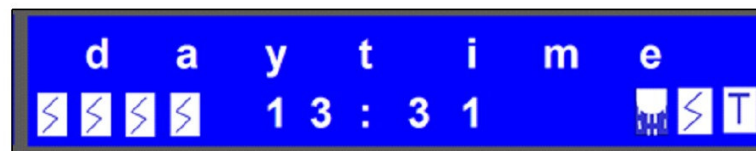
Characteristics

- Daylightsimulation: Sunrise and sunset and moonlight
- 3 individually adjustable phases respectively shifting time (DAY-NIGHT-PAUSE)
- individual adjustable brightness and luminous colour from 0-100% for each phase respective shifting time
- Weathersimulation (cloudy sky and lightning) 3 different intense level
- Demonstration operation with permanently changing shifting phases
- manually activating weathersimulation (cloudy sky and lightning by key press)
- illuminated display with automatic dim function
- Menu language: Deutsch / English
- compact design
- daytime® 3-pole circular interconnecting system „Plug & Play“
- operating of LED-lights of daytime®-series eco with additional equipment „moon“ (moonlight) up to 100 watts
- Possibly increase the max. load by installation of available power extension module in combination with additional converter.

Illustration / Explanation



Display / Status Information



Status information weather on active weather simulation here the corresponding symbol is shown

When switch over from Day-Night-Pause during the switch time the display shows "WAIT"

Current time

timer mode
 T = Day
 N = Night
 P = Pause
 Switch over with SET button

Status information lightning

Status information clouds

Menu Structure / Operation

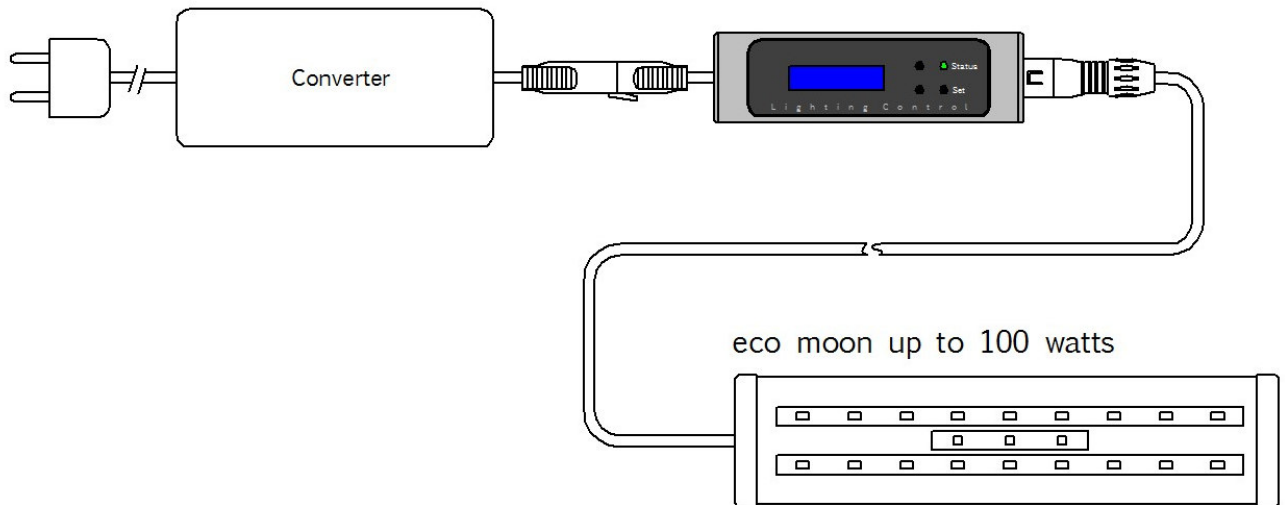
- Press the UP-button to activate the menu. Note: The control-LED turns red, when menu is activated (adjustment-mode)
- In the activated menu pressing UP- and DOWN-button lead you to the different menu chapters. If there is no further input (pressing any button) after scrolling to menu chapter the menu will be left - back to Status Information.
- Pressing SET-button will select a menu chapter
- Values have to be adjusted by pressing UP- and DOWN-button. Pressing the SET-button confirms respectively save the values.

Menü (Bedienung über UP- / DOWN- & SET Taste)

DIM BLUE →	0-100% (brightness)
↓	
DIM WHITE →	0-100% (brightness)
↓	
DIM ALL →	0-100% (both colours dim evenly in in the adjusted brightness level)
↓	
Start sunrise →	00:00-23:59 time (beginning turning from night to day)
↓	
Sunrise length →	Minutes: 1-60 (duration > turning from night to day)
↓	
start pause →	00:00-23:59 time (starting time turning from day or night to pause)
↓	
end of pause →	00:00-23:59 time (starting time turning from pause to day or night)
↓	
start sunset →	00:00-23:59 time (starting time turning from day to night)
↓	
sunset length →	Minuten: 1-60 (duration > turning from day to night)
↓	
WEATHER →	Mov. clouds: → OFF / ON
↓	↓
	lightning: → OFF / ON
	↓
	Intens.: → strong / middle / mild
System settings →	Leave setting or select UP/DWN
	↓
	set system time → 00:00-23.59 (current time)
	↓
	choose run mode → normal mode / demonstration
	↓
	display brightnes → UP/DWN
	↓
	Display light → AUTO OFF / constant ON
	↓
	Choose zone function → Zones OFF! Zone1 = INTERN Zone1 = EXTERN
	↓
	choose language → Deutsch / English
	↓
	call manufact. presets → YES / NO
	↓
	Check software version → Vx.xx

Initial Operation

1. **Connect all electric devices (except power plug) according to safety advices in this manual!**



2. **Insert power plug or switch on power supply(ies)**

- When operating the controller daytime LC14 the first time or after an interrupted electricity supply for more than 72h you are asked to adjust the current time (system time). With UP- and DOWN-button time will be adjusted. Pressing SET-button will save the adjusted time. You are free to adjust the time in menu system settings at any time.
- Depending on the time of day the stored settings will be activated and shown in the display just in the moment of switching on the controller. The light starts working with softstart.
- At delivery the controller is unchangeable programmed with factory settings. These you can reactivate at any time (see menu). Factory settings is only a base setting. Of course there is the opportunity to adjust each parameter individually. All settings will remain after a power cut.

3. **After switch-on the daytime® controller the display will show status information and then will be ready-to-operation.**

System Settings

Individually adjusting and programming of daytime® controller LC14 2-channel moon

We advise the following approach:

1. Decision between parallel or zonal operation (This item only is important when linking one LC14 with one or more Power-Extension-Modules. If this is not planned there are no adjustments necessary).

- Select menu-item „**choose zone function**“
- Choose „**Zones 0FF!**“ for parallel operation (factory settings). This setting is for operating each installed LED-light with identical parameters at the same time.
- Choose „**Zone1 = INTERN**“ for zonal operation if the LED-light that is directly connected with LC14 stands for "zone 1" and the LED-light that is connected with the first Power-Extension-Module stands for "zone 2".
- Choose „**Zone1 = EXTERN**“ for zonal operation if the LED-light that is directly connected with LC14 and the LED-light that is connected with the first Power-Extension-Module should operate the same (parallel).

Note: Switch setting(s) of Power-Extension-Module(s) corresponding to operating mode (parallel or zonal operation).

2. Adjustment of additional basic settings

- Setting time of day (systemtime)
- Select operating mode:

normal mode > The controller operates according to the programmed shifting times and light adjustments

demonstration > The controller switches permanently between the stored light adjustments DAY, NIGHT and PAUSE. This function enables presentation. In addition this function enables to check the executed programming and adjustments in fast motion.

- Adjust display-brightness
- „Automatic dim function of display illumination“ > Switch-on or -off

constant 0N > Display illumination remains on adjusted brightness

AUTO 0FF > Display illumination will be dimmed in normal operating mode after short time (approx. 15 sec.)

- Select language > **DEUTSCH** or **ENGLISH**
- Call manufact. presets > **YES** or **NO**
YES > recalls factory settings (except system time)
- Check software version > maybe relevant in case of service

3. Lighth settings

ATTENTION: The light settings have to be done in each phase respectively timer state (DAY, NIGHT and PAUSE)

- Choose the desired phase by pushing SET-button (control-LED shines red > adjust mode)

T > Daylight

N > Nightlight

P > Pause

- Adjust the brightness for each phase and colour in menu **DIM BLUE**, and **WHITE**.
Example: Daylight > B=100%, W=100% | Nightlight > B=100%, W=0% (moon) | Pause > B=50%, W=100%
(in zonal-operation-mode the zones Z1, Z2,... will be checked. In parallel-operation-mode these items are suppressed.)
- Adjust the max. brightness for each phase in menu **DIM ALL**.
Example: Daylight = 100% | Nightlight = 1% | Pause = 5%
(in zonal-operation-mode the zones Z1, Z2,... will be checked. In parallel-operation-mode these items are suppressed.)
- Set sunrise time and adjust its duration
- Set and adjust beginning and end of pause (set both options on 00:00 if no pause is desired)
- Set sunset respectively moonrise time and adjust its duration
- Choose weather simulation > **Mov. clouds**, **lightning** and **intens.**

ADVICE:

- The light transitions may be selected manually by pressing the SET-button or the phases could be switched over manually. (during manual operation mode the control-LED shines red). The duration of light transitions manually done is consciously short-timed. This does not correspond to the menu settings.

TIP:

- Weather simulations can be called up manually (only, if activated in menu item "WEATHER"):

Lightning > keep SET-button pressed and shortly press UP-button once

Mov. clouds > keep SET-button pressed and shortly press DOWN-button once

Werkseinstellungen

DIM BLUE	>	T = 100% N = 25% P = 0%
DIM WHITE	>	T = 100% N = 0% P = 0%
DIM ALL	>	T = 100% N = 100% P = 100%
Start sunrise	>	07:00
Sunrise length	>	5 minutes
Start pause	>	00:00
End of pause	>	00:00
Start sunset	>	22:00
Sunset length	>	5 minutes
WEATHER Mov. clouds	>	OFF
WEATHER lightning	>	OFF
WEATHER intens.	>	OFF
Run mode	>	normal mode
Display brightness	>	100%
Display light	>	AUTO OFF
Zonen function	>	Zones OFF!
Language	>	Deutsch

Warranty notice

We have a 24 month warranty for daytime® products that we deliver within the EU.

Exceptions are damages due to non-compliance with the operating manual or other improper handling.

If, contrary to expectations, you have grounds for a complaint within this warranty period, please fill out and submit the enclosed warranty card to your nearest daytime® dealer.

daytime® - a brand of:

waltron 
Sapelloh 51 GMBH
31606 Warmsen

daytime®

Tel.: +49 (0) 5767 / 941 439 – 0

Fax: +49 (0) 5767 / 941 493 – 15

E-Mail: info@waltron-gmbh.com

www.daytime.de | www.waltron-gmbh.com



BA-LC14 2-Kanal moon GB

92-0004 V.04

Subject to changes. Misprints and errors excepted!